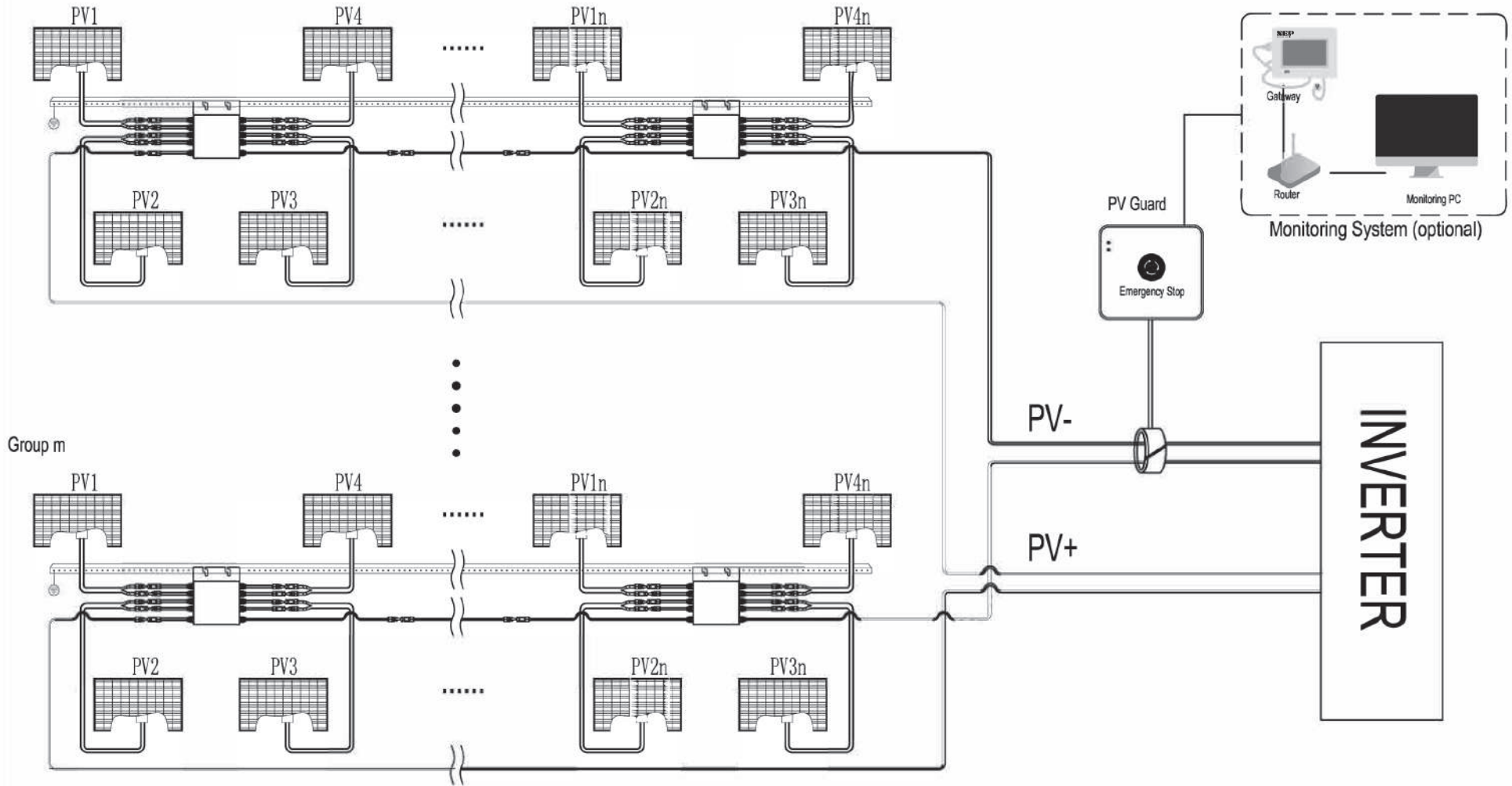


# PVG-C Controller with PVG-4 Receiver



<b>Quantity:</b>		<b>Material:</b>				
<b>Designed by:</b>	<b>Checked by:</b>	<b>Approved by:</b>	<b>Date:</b>	<b>Edition:</b>	<b>Scale:</b>	
 NORTHERN ELECTRIC				<b>Drawing number:</b>		<b>Sheet 1 of 1</b>