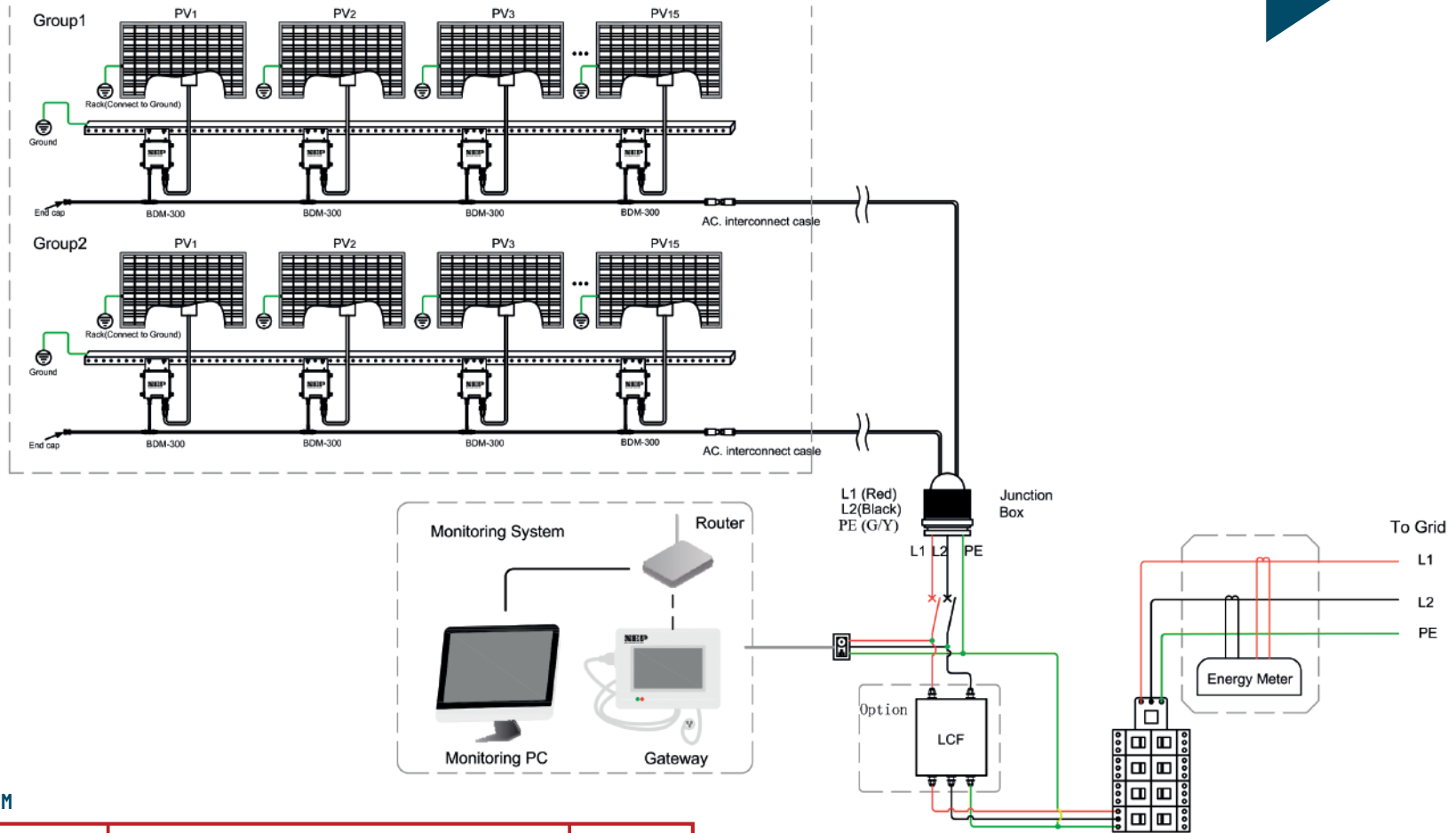


# BDM-300 Wiring Diagram, Single phase for U.S.



7.5kW PV System BOM

Specification	Description	Quantity
PV module	PV PANELS (300W)	30
BDM-300	250W Micro Inverter w/ integrated grounding	30
BDG-256	Communication Gateway w/ BDG-256-PC-NA power cord	1
LCF(Line Communications Filter)		option
Trunk cable drops	12AWG	30
Male Connector		2
AC interconnect cable	16 feet AC cable w/ female conector	2
End cap	male end cap	2

<b>Quantity:</b>		<b>Material:</b>			
<b>Designed by:</b>	<b>Checked by:</b>	<b>Approved by:</b>	<b>Date:</b>	<b>Edition:</b>	<b>Scale:</b>
				<b>Title: 9.0kW PV System (NA)</b>	
				<b>Drawing number:</b>	<b>Sheet 1 of 1</b>