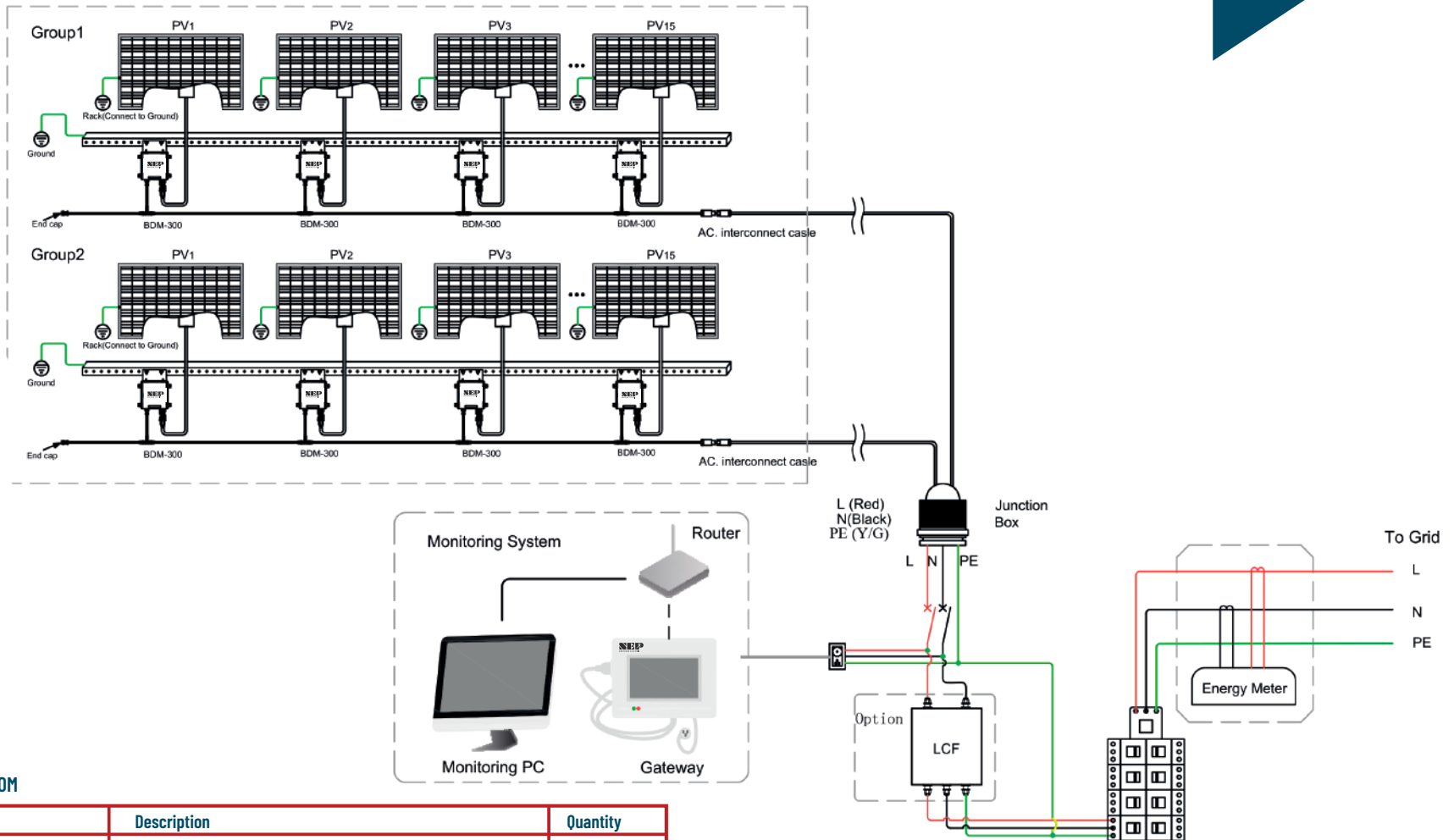


# BDM-300 Wiring Diagram, Single phase for Australia



7.5kW PV System BOM

| Specification                   | Description                                       | Quantity |
|---------------------------------|---|----------|
| PV module                       | PV PANELS (300W)                                  | 30       |
| BDM-300                         | Micro Inverter w/ integrated grounding            | 30       |
| BDG-256                         | Communication Gateway w/ BDG-256-PC-NA power cord | 1        |
| LCF(Line Communications Filter) |   | option   |
| Trunk cable drops               | 12AWG   | 30       |
| Male Connector                  |   | 2        |
| AC interconnect cable           | 16 feet AC cable w/ female conector               | 2        |
| End cap                         | male end cap w/ female conector                   | 2        |

|                     |                    |                     |              |                                    |               |
|---------------------|--------------------|---------------------|--------------|------------------------------------|---------------|
| <b>Quantity:</b>    |                    | <b>Material:</b>    |              |                                    |               |
| <b>Designed by:</b> | <b>Checked by:</b> | <b>Approved by:</b> | <b>Date:</b> | <b>Edition:</b>                    | <b>Scale:</b> |
|                     |                    |                     |              | <b>Title: 9.0kW PV System (AU)</b> |               |
|                     |                    |                     |              | <b>Drawing number:</b>             |               |